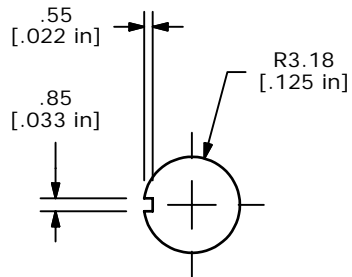
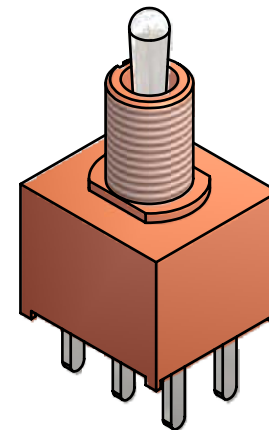
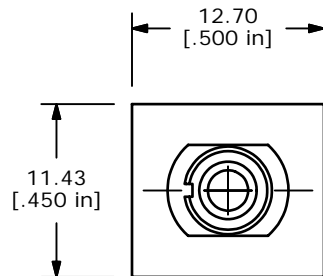


P.C. MOUNTING

Ø1.85  
[.073 in]

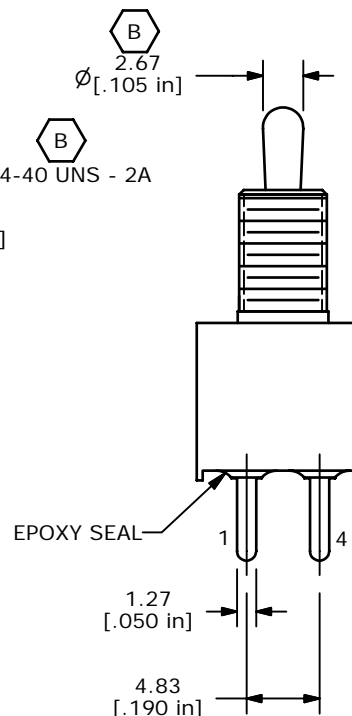
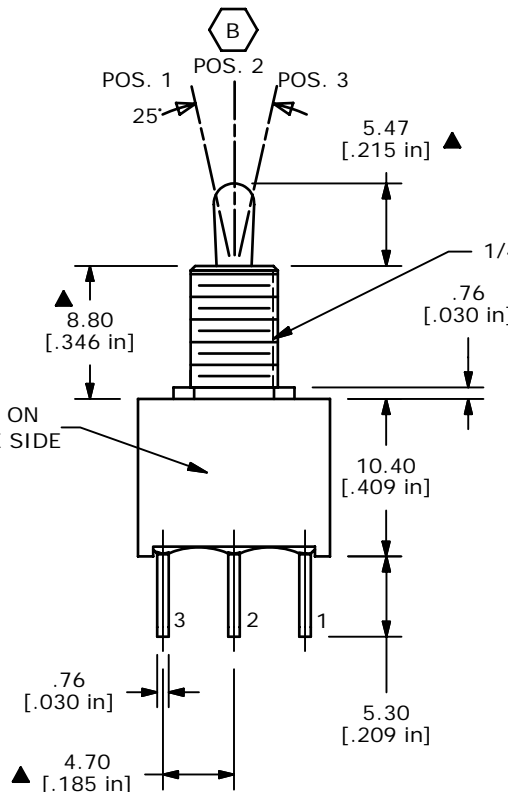


PANEL MOUNTING



ISOMETRIC

SWITCH FUNCTION		
POS. 1	POS. 2	POS. 3
ON	OFF	ON
2-3, 5-6	OPEN	2-1, 5-4



NOTES:

1. ALL DIMENSIONS IN MM [INCH]
2. GENERAL TOLERANCE: x.x=±0.4  
x.xx=±0.25
3. TERMINAL NOS. FOR REF. ONLY
- ▲ 4. PLATING MATERIAL: SILVER
5. RATING: 2A @ 250VAC  
5A @ 120VAC or 28VDC
6. ELECTRICAL LIFE: 30,000 make-and-break cycles at full load
7. INSULATION RESISTANCE: 1,000mOHMS MIN
8. DIELECTRIC STRENGTH: 1,000V RMS @ sea level
9. OPERATING TEMPERATURE: -30°C to 85°C
10. ▲ DENOTES CRITICAL PARAMETER
11. 2002/95/EC (ROHS) COMPLIANT



B	16343	CLEANED UP DWG.	8/18/06	BO
A	16047	NEW PART RELEASE	5/19/06	CT
REV	PCR NO	DESCRIPTION	DATE	BY

TITLE 100AWDP3T2B1M2QE				
SCALE 2:1	DATE 5/19/2006	DR CT	DWG T102316	REV B

THE INFORMATION CONTAINED IN THIS DOCUMENT IS PROPRIETARY TO E-SWITCH AND IS NOT TO BE COPIED OR TRANSFERRED